

SEGMENTABLE FIBRE NODE 2X2 FOR HFC

ONS 9238 is one of the most advanced optical nodes dedicated to traditional HFC and FTTB networks. Besides its compact size the node is distinguished by a high output level and a low power consumption. The ONS can be adjusted uninterruptedly and is remote controllable with FOISTRA control modules. The main advantages of the device include the following modes:

- „AUTOALIGNMENT“, depending on the given input parameters of optical signal and the parameters of RF output signal, it enables automatic internal control, which ensures that the programmed parameters are obtained.

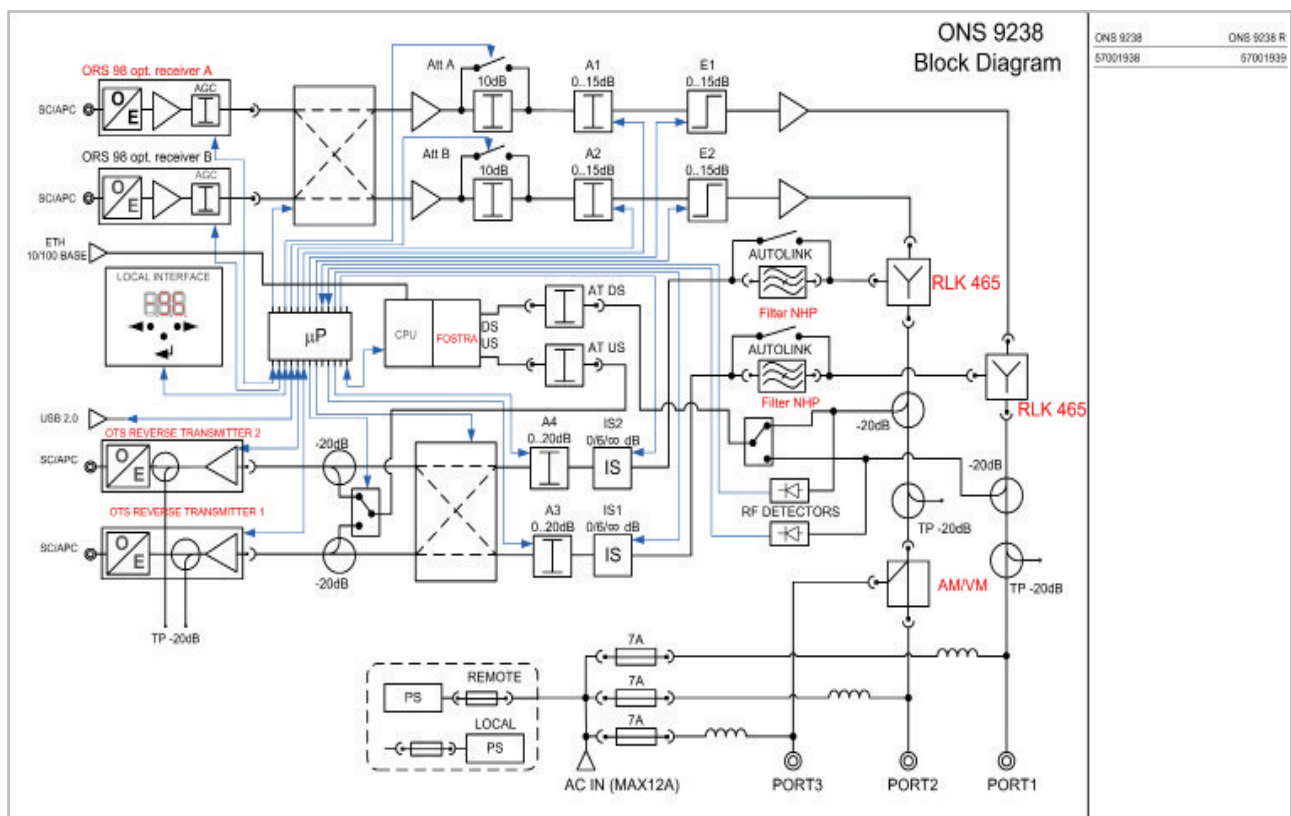


The ONS can be equipped with monitoring module including RJ45 or SFP interface.

Depending on the need, there is a possibility of remote monitoring using fibre optic or copper medium. Total independence from DOCSIS infrastructure and RF parameter measurement system allows the operator to consciously control and change the quality of received signals. ONS 9238 can cooperate with an optical switch, forming an independent monitoring infrastructure or optional with DOCSIS or HMS monitoring system.

- 1 GHz frequency range
- Designed to work in HFC, FTTLA, FTTLN, FTTB or FTTC networks
- Easy configuration, electronic adjustment and universal plug-in modules
- Built-in AGC (Automatic Gain Control)
- 3-DIGIT LED display
- 2x2 full redundancy and segmentation in forward and reverse
- Local or remote powering
- Monitoring via SNMP v2c and WWW

Type	ONS 9238	ONS 9238 R	ONS 9238/FOISTRA D	ONS 9238 R/FOISTRA D
Article-No.	57001938	57001939	57002087	57002088
Description	Segm. Fibre Node 2x2	Rem. Segm. Fibre Node 2x2	Segm. Fibre Node 2x2	Rem. Segm. Fibre Node 2x2



Type		ONS 9238	
Applications		HFC, FTTC/FTTB	
Compact die-cast housing	mm	245 x 207 x 125 / IP 65, Out-door	
Fibre connectors (internal)		SC/APC	
Connectors		PG 11 or 5/8" RF out, PG 13,5 (Optical fibre cable input)	
Mains feeding	V~/W	185...265 / < 35 (ONS 9238)	
Remote feeding	V~	28...70 / 0,67 A @ 30 VAC, 10 A (ONS 9238 R, 57001939)	
Operating temperature	°C	-20...+55, Free convection	
Testpoint A1, A2	dB	-20 (internal)	
Return laser module		various available (DFB, FP, CWDM)	
RF outputs		2 x 2 (redundant)	
Downstream RX	Optical wavelength	nm	1100 ...1650 (ORS 98 module)
	Optical input power	dBm	-7...+2 (1310nm)
	OLC		Yes (-6 ... +0 dBm, optical level control)
	Optical return loss	dB	> 45
	Frequency range	MHz	85...1006 (Diplex filter RLK 465)
	Frequency response	dB	± 0.75
	Output level 1310nm @ -3 dBm		
	E1 and E2 = 6 dB slope, 3,5% OMI		2 x 114 dBµV (acc. CENELEC 42 CTB/CSO > 60 dBc)
	E1 and E2 = 6 dB slope, 4,0% OMI		2 x 116 dBµV (acc. CENELEC 42 CTB/CSO > 58 dBc)
	C/N	dBc	52 @ -3 dBm, OMI 4%
Interstage Att. A1, A2	dB	0...15 dB (adjustable by electronic step attenuators in 0,5 dB steps)	
Interstage slope E1, E2	dB	0...15 dB (adjustable by electronic step attenuators in 0,5 dB steps)	
RF test point	dB	-20 (internal)	
Upstream TX	Laser / optical power		1310/1610 nm: FP or DFB-Laser / 0 or 3 dBm CWDM 1470...1610 nm: DFB-Laser / 3 dBm
	(e.g. OTS 1610 D, 1610 nm DFB + 3 dBm)		
	Frequency range	MHz	5...65 (other on request)
	RF input level (CWDM)	dBµV	OMI 10 % @ 70, 0 dB attn
	RF level attenuator A3, 4	dB	0...20 (1 dB step attn.)
RF test point	dB	-20 (internal)	
Monitoring optical output		Green LED on: output power available	

Modules for ONS 9238

Type	Article-No.	Description
ORS 98	57001940	RX-Module 1260 -1620nm, -7...2 dBm
OTS 1310 D	57001941	TX-Module, DFB 1310nm, +3 dBm
OTS 1610 D	57001942	TX-Module, DFB 1610nm, +3 dBm
OTS 1xxx CWDM	on request	TX-Module, CWDM 1xxxnm, +3 dBm
RLK 465 (2x)	57001945	Diplexer 5 - 65/85-1000 MHz
NHP 915	57001946	Rev path filter FPA 15 - 65 MHz
VM 902	57001947	Output splitter VM 2-fach 3.5 dB
AM 9-01-10	57001948	Output RF Tap AM 10 dB
FOSTRA D	on request	DOCSIS Transponder
JUM-ONS	57001984	0 dB Jumper for output 2