

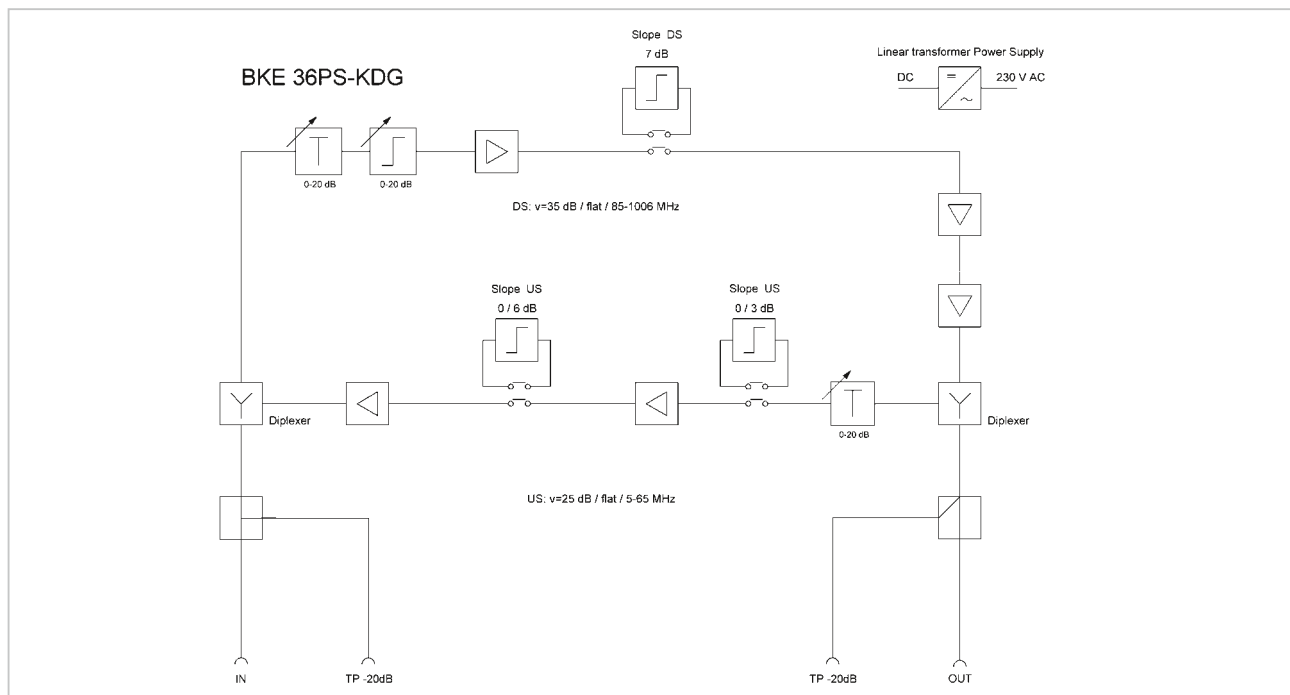
HOUSE AMPLIFIER PROFI-LINE BKE-PS

- BKE-PS amplifier: return path on board
- Precise and reliable adjustments by variable level attn. (PS) for level and slope control
- Low noise
- LED indicator for operation status
- Vodafone certified



Types: BKE-PS

Type	BKE 22 PS-KDG	BKE 33 PS-KDG	BKE 36 PS-KDG	BKE 39 PS-KDG
Item No.	57002408 (PU:10) 57002595 (PU:1)	57002409 (PU:10) 57002596 (PU:1)	57002410 (PU:10) 57002597 (PU:1)	57002411 (PU:10) 57002598 (PU:1)
Description	Amplifier with level attn.	Amplifier with level attn.	Amplifier with level attn.	Amplifier with level attn.
Frequency range US / DS	MHz 5-65 / 85-1006	MHz 5-65 / 85-1006	MHz 5-65 / 85-1006	MHz 5-65 / 85-1006
Gain US / DS	dB 18 / 20	dB 25 / 33	dB 25 / 35	dB 29 / 39
Adjustment level / slope DS	dB 0 ... 20	dB 0 ... 20	dB 0 ... 20	dB 0 ... 20
Interstage slope DS (Jumper)	0 / 7	0 / 7	0 / 7	0 / 7
Noise US/DS	dB 5 / 6	dB 5 / 6	dB 5 / 6	dB 5 / 6
Output level CENELEC*1	dBμV 100	dBμV 98	dBμV 100	dBμV 101
Output level digital*2	dBμV 96	dBμV 95	dBμV 96	dBμV 97
Return path (KDG 1TS140)	dB medium load	dB medium load	dB medium load	dB medium load
Level adjustment US	dB 0 ... 20	dB 0 ... 20	dB 0 ... 20	dB 0 ... 20
Slope return path	dB -	dB -	dB 0 / 3 / 6 / 9	dB 0 / 3 / 6 / 9
Test point	-	-	Input+Output	Input+Output
Power supply	V~/W 200 - 240/7.5	V~/W 200 - 240/8	V~/W 200 - 240/8	V~/W 200 - 240/6
Dimensions / Weight	mm / kg 153 x 95 x 53 / 0.8	mm / kg 153 x 95 x 53 / 0.8	mm / kg 153 x 95 x 53 / 0.8	mm / kg 153 x 95 x 53 / 0.8
VF-KDG class	B (1.1)	B (3.1)	B (3.2) + C (3.2)	C (4.2)



*1 CENELEC : CTB,CSO > 60 dB, flat

*2 Digital: EN 60728-3, 112 CH, 114-1006 MHz, flat