

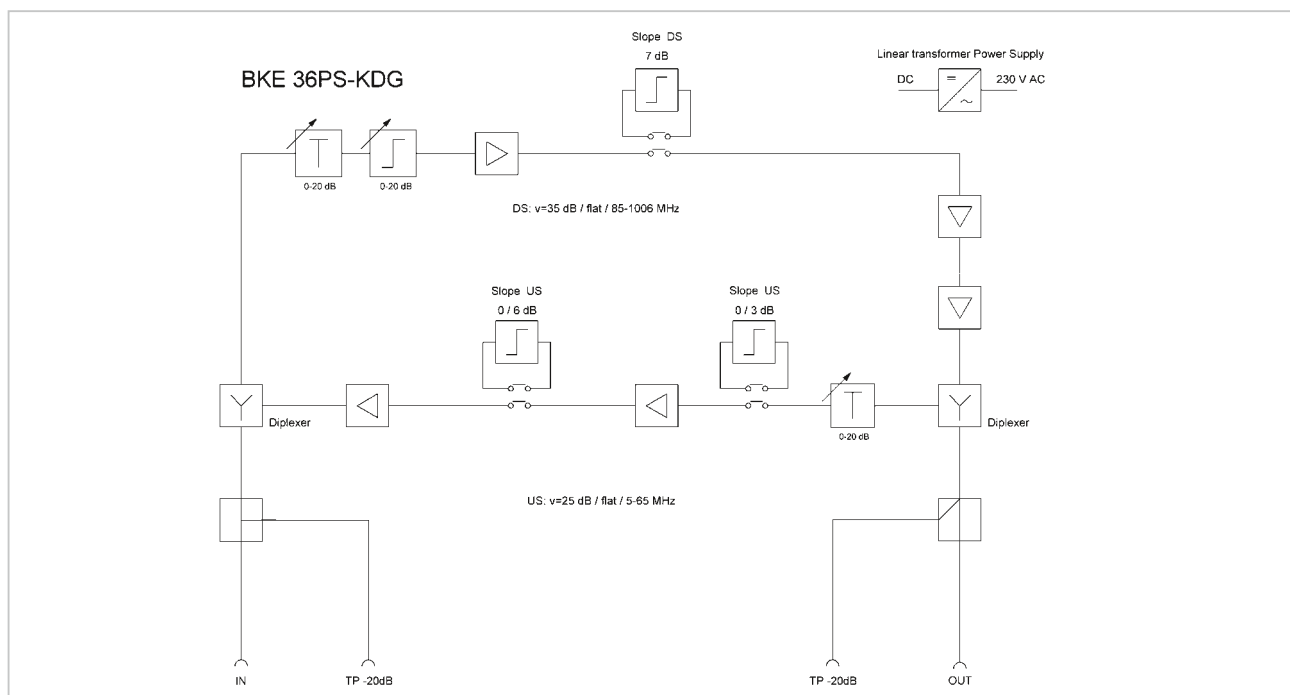
HOUSE AMPLIFIER PROFI-LINE BKE-PS

- BKE-PS amplifier: return path on board
- Precise and reliable adjustments by variable level attn. (PS) for level and slope control
- Low noise
- LED indicator for operation status
- Vodafone certified



Types: BKE-PS

Type	BKE 22 PS-KDG	BKE 33 PS-KDG	BKE 36 PS-KDG	BKE 39 PS-KDG
Item No.	57002408 (PU:10) 57002595 (PU:1)	57002409 (PU:10) 57002596 (PU:1)	57002410 (PU:10) 57002597 (PU:1)	57002411 (PU:10) 57002598 (PU:1)
Description	Amplifier with level attn.			
Frequency range US / DS	MHz 5-65 / 85-1006			
Gain US / DS	dB 18 / 20			
Adjustment level / slope DS	dB 0 ... 20			
Interstage slope DS (Jumper)	0 / 7			
Noise US/DS	dB 5 / 6			
Output level CENELEC*1	dBμV 100			
Output level digital*2	dBμV 96			
Return path (KDG 1TS140)	dB medium load			
Level adjustment US	dB 0 ... 20			
Slope return path	dB -			
Test point	-		Input+Output	
Power supply	V~/W 200 - 240/7.5			
Dimensions / Weight	mm / kg 153 x 95 x 53 / 0.8			
VF-KDG class	B (1.1)		B (3.2) + C (3.2)	



*1 CENELEC : CTB,CSO > 60 dB, flat

*2 Digital: EN 60728-3, 112 CH, 114-1006 MHz, flat