

## LINE EXTENDER-/ DISTRIBUTION-AMPLIFIER NVD 1.2 GHz



II FOSTRA-F FSK-RX



### Key benefits

- II Manageable 1.2 GHz trunk and line extender for modern HFC-architectures
- II Flexible transponder solution with FSK **FOSTRA-F** microreceiver used to control and monitor with Webbrowser WebGui
- II Manageable by DELTANET
- II Solid alu die-cast housing, protection class IP 65
- II Built-in return amplifier, extended bandwidth to 204 MHz configurable via modular diplexer
- II Ingress-Control-Switch 0 / 6 / 45 dB.
- II State of the art GaAs-FET-IC pre-stages and GaAs-FET MMIC final stage for excellent linearity, low noise and high output level
- II All adjustments electronically operated by keypad and LED-display
- II Electronic interstage-slope and attenuation adjustment
- II For automatic adjustment of temperature induced level variations an AGC/ALSC module can be used
- II Complete equipment and testpoints

**Remark:** Fittings are not included in delivery

### FOSTRA-F microreceiver for amplifier

Cost-effective monitoring system for amplifier and nodes:

- II Monitoring function: Ingress detection switch 0 / 6 / 45 dB
- II Monitoring status LED indicates the operational mode
- II RX frequency 868.3 MHz / 862 MHz / tuneable
- II Identification of the amplifier type and place of installation



## LINE EXTENDER-/ DISTRIBUTION-AMPLIFIER CLASSIC-LINE NVD GA

- 1.2 GHz DS-bandwidth, modular return path up to 204 MHz
- **Gallium arsenide technology (GaAs)**
- Controllable line- and distribution amplifier for interactive HFC-networks
- Two independent, active high power outputs
- Flexible transponder solution with FSK **FOSTRA-F** microreceiver
- Electronical level and slope adjustment
- DOCSIS 3.1 compliant
- Ingress-Control-Switch 0 / 6 / 45 dB on return path
- Low noise by GaAs-FET-IC pre-amplifier stages
- High output level using Power-Doubler GaAs-FET technology
- AGC module available
- Power pass of 10 A, immunity to surge voltages 6 kV
- Compact die-cast housing IP 65



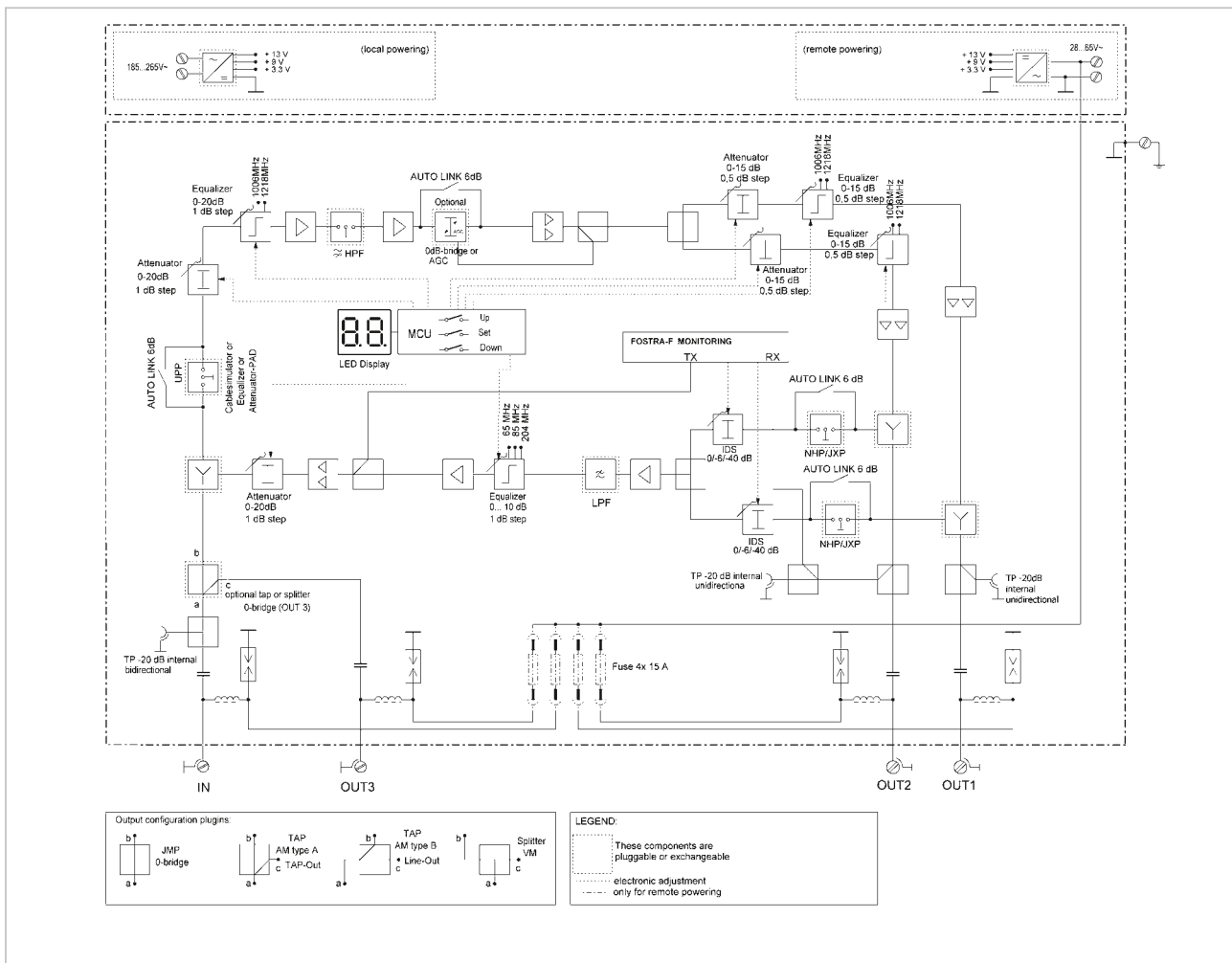
Type		NVD 9243 GA	NVD 9243 R GA
Item No.		57002980	57002812
Final stage		2 x Power Doubler GaAs-FET	
Downstream	Frequency range	MHz	
	Gain	dB	
	Noise	dB	
	Linearity	dB	
	Attenuation input	dB	
	Slope 1006/1218 MHz	dB	
	Interstage Slope + Attenuation	dB	
	Output level CENELEC*1	dB $\mu$ V	
	Output level digital*2	dB $\mu$ V	
Return loss	dB		
Upstream	Frequency range	MHz	
	Gain	dB	
	Slope	dB	
	Attenuation	dB	
	Ingress Detection Switch	0 / 6 / 45 switchable FOSTRA	
	BER @ 107 dB $\mu$ V with 24 carriers QAM 256	< 1.0E-09	
Noise	dB		
Power supply	V~	200 - 240 V local power *3	28 - 65 V remote power
Power pass	A	10	
Hum-isolation	dB	> 60	
Power consumption	W	35 (without transp.)	
Testpoint input	dB	-20 (F-female, internal) bidirectional	
Testpoint output	dB	-20 (F-female, internal) unidirectional	
Immunity to surge voltages	kV	6 / 6	
Connector		PG 11 (connectors not incl.)	
RF-IN / OUT connection		PG 11 (connectors excluded)	
Dimensions / Weight	mm / kg	250 x 220 x 100 / 3.0	

\*1 CENELEC : CTB,CSO > 60 dB, flat

\*2 Digital: EN 60728-3,119 CH, 262-1214MHz, flat

\*3 on request

# LINE EXTENDER-/ DISTRIBUTION-AMPLIFIER CLASSIC-LINE NVD GA



pre-configured available:

Item No.	Type	Description
57003164	NVD 9243 R GA 65	Trunk amplifier remote powered, gallium arsenide, 1.2GHz, 43dB, US 65/85 MHz
57003165	NVD 9243 R GA 85	Trunk amplifier remote powered, gallium arsenide, 1.2GHz, 43dB, US 85/105 MHz