

UNICABLE ADD-ON

For extension of existing Legacy systems with Unicable

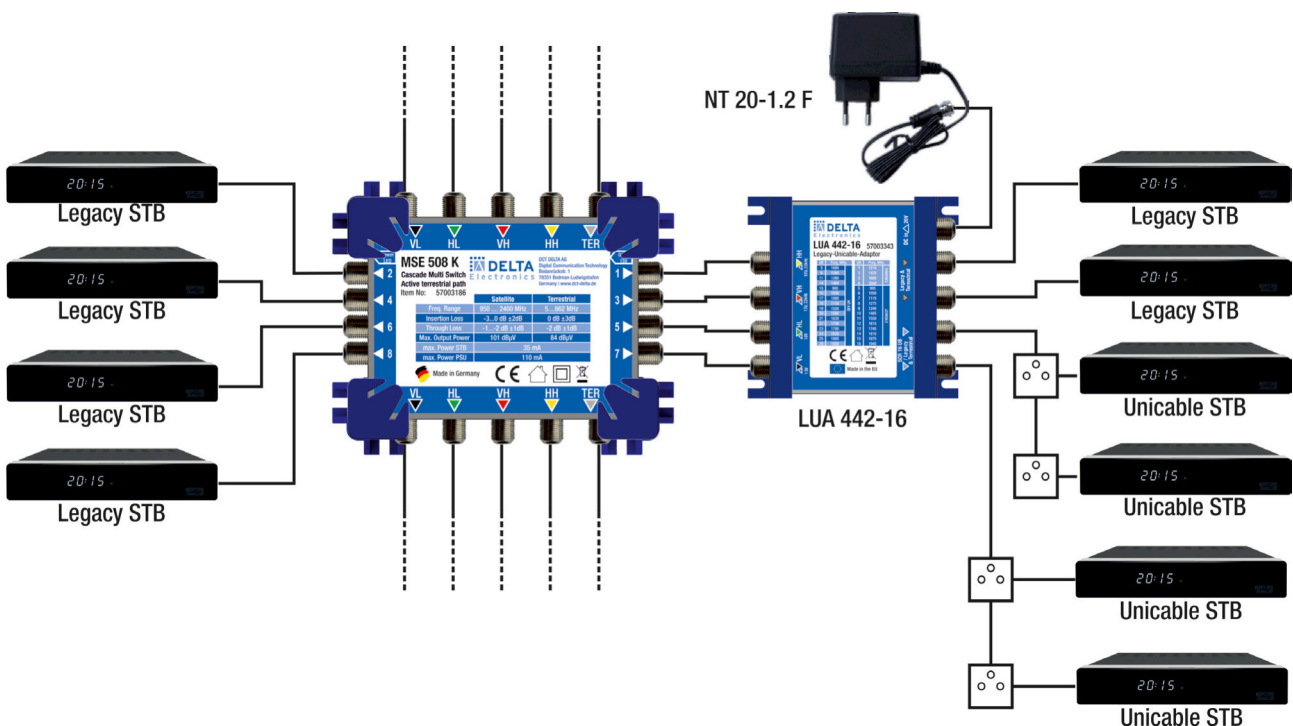
- || Legacy-Unicable-Adapter
- || Converts Legacy into Unicable signals
- || Allows Unicable for pure Legacy-System
- || All outputs remain unchanged
- || Compact housing
- || External power supply necessary *
- || Stand-Alone usable with Quattro signal



Type		LUA 442-16
Item No.		57003343
Inputs		4
Input frequency	MHz	5...2150
Outputs Legacy		4
Outputs dSCR		2 (in combination with Legacy output)
Output frequency	MHz	5...2150
Through loss	dB	-5
Output level	dBμV	85 (typ.)
User bands (dSCR Output)		16
Isolation	dB	> 35
Power consumption	W	< 5
Input voltage	VDC	10...20
Dimensions	mm	87 x 83 x 40

* Power supply from externally with an external plug-in power supply (e.g. NT 20-1.2 F; Item No. 57004430) or by remote feeding through User Band outputs.

Application Example



Preset User bands frequency table for MSU xxx-16 K and LUA 442-16

UB	EN 50607 (Unicable 2)	EN 50494 (Unicable 1)
0		1210 MHz
1		1420 MHz
2		1680 MHz
3		2040 MHz
4	985 MHz	
5	1050 MHz	
6	1115 MHz	
7	1275 MHz	
8	1340 MHz	
9	1485 MHz	
10	1550 MHz	
11	1615 MHz	
12	1745 MHz	
13	1810 MHz	
14	1875 MHz	
15	1940 MHz	

